



SICMEMOTORI

Technical Catalogue

C-SM-ML-802-818-E-08

STEEL MILL HEAVY DUTY DC MOTORS
(MILL MOTORS)
SM-ML SERIES
FRAMES 802-818

FROM 3,75 TO 184kW
FROM 158 TO 17400Nm



SM-ML MILL DC MOTORS

General

Steel mill heavy duty DC motors series SM-ML (MILL motors) have been designed for use in variable speed drives for heavy duty applications. Motors have skewed armature slots to ensure low torque ripples at slow speed. Motors are available up to 17400Nm.

These motors exactly meet A.I.S.E. Standard requirements in terms of:

- outputs (torques, speeds, powers, etc.)
- overall and coupling dimensions
- dimensions and positioning of ventilation openings

so they are fully interchangeable to whatever DC motor of same frame size manufactured in accordance with A.I.S.E. Standards

Motor design

Standards: Ratings, operating features and outline dimensions according to A.I.S.E. technical report No. 1 - 1991/IPSS 1-03-002-94

General features and testing according to IEC60034-1

Supply: From 3-phase fully controlled bridge (no yoke required if armature current form factor is $\leq 1,05$)

Impregnation: VPI (with solventless resin)

Winding terminals: TIG welding of armature coil connections to commutator

Insulation: Class H

Temperature rise: 110°C

Ambient temp: 40°C max (without derating)

Altitude of installation: 1000 m.a.s.l. max (without derating)

Balancing: ISO 2373, grade "N"

Mounting arrangement: IM1004 (B3), horizontal with feet and 2 tapered shaft ends

Shaft: Removable and replaceable shaft, with 2 tapered extensions (taper 1:9,6 – 1 ¼ per foot)
On each extension a nut and a split lockwasher are provided.

Shaft guard is fastened on the commutator end

Enclosures: Convertible between TENV and TEVW enclosure or with top mounted blower unit

Enclosures			Degree of protection*	Type of cooling**	
	Description	Sicme Motori code			
TENV	Totally Enclosed Not Ventilated	CNV	IP55	IC410	ST
TEVW	Totally Enclosed Forced Ventilated (by external and separate source)	CBA	IP55	IC37	ST
DPFG-BV	Drip-Proof Fully Guarded , Blower Ventilated	PVA	IP23	IC06	OR
DPFG	Drip-Proof Fully Guarded	PV	IP23	IC01	OR
DPFG-SV	Drip-Proof Fully Guarded, Separately Ventilated	BPVA	IP23	IC16	OR
TEAAC	Totally Enclosed Air-to-Air Cooled	CBARO	IP55	IC666	OR
TEWAC	Totally Enclosed Water-to-Air Cooled	CBARH	IP55	IC86W	OR

* IEC60034-5

** IEC60035-6

ST: Standard

OR: On Request

Terminal box: No terminal box, loose hanging leads as standard (right side facing DE)

Thermal protection: N° 1 thermoprotector on auxiliary windings as standard

Full speed, half speed and quarter speed design available.

Motor design: SM 802-804 series

- Steel fabricated, split frame
- Heavy-duty roller bearings with easily removable bearing housings

Motor design: ML 806-818 series

- Fully laminated stator core, no split frame
- Compensating windings (as option on frames 806-808-810, as standard on frames 812-814-816-818)
- Heavy-duty roller bearings

Fully laminated machines have the relevant advantage to accept extremely high current gradients (200In/sec). These motors withstand without any problem to frequent and extremely rapid current pulses, arising from static converters.

Options available

- 1 tapered shaft end only (IM1003)
- 1 (IM1001) or 2 (IM1002) cylindrical shaft ends
- terminal box
- different kind of thermal protection (Pt100, PTC, etc.)
- tachometers, pulse generators, overspeed switches
- anticondensation heater
- brakes
- etc.



Output data – Frames SM802-804

Ratings are referred to 230V. Motors can work with voltage up to 500V (with maximum torque lower than the one indicated for 230V; please ask Sicmemotori).
SM series motors can be supplied, with same ratings, with 460 and 550V also.

Frame Size SM	TENV S2-60' (1)						TENV S2-30' Series			TENV S3-30% (4)								
	Power		Speed RPM				Power		Speed	Series			Compound			Shunt		
	kW	HP	Series	Comp. (2)	Straight shunt	Adjust. Speed (3)	kW	HP	RPM	kW	HP	RPM	kW	HP	RPM	kW	HP	RPM
802 A	3,75	5	900	1025	1025	1025/2050	5	6,5	750	4,1	5,5	840	3,75	5	1080	3,75	5	1130
802 B	5,6	7,5	800	900	900	900/1800	7,5	10	675	6	8	780	5,6	7,5	950	5,6	7,5	1000
802 C	7,5	10	800	900	900	900/1800	10	13,5	675	7,5	10	800	7,1	9,5	940	6,7	9	1000
803	11,2	15	725	800	800	800/2000	14,1	19	620	11,2	15	725	10,8	14,5	840	10,5	14	880
804	15	20	650	725	725	725/1800	19,5	26	580	15	20	650	13,8	18,5	775	12,7	17	800

- (1) or continuous duty, blower ventilated
- (2) 50% series, 50% shunt or straight shunt
- (3) A light stabilizing series field may be used to get these speed ranges. Constant power speed variation by field weakening
- (4) Continuous repeated cycles of 5 minutes duration, with load on for 1,5 minute and power off for 3,5 minutes; shunt fields continuously excited.

Frame Size SM	Maximum starting torque						Maximum running torque at 230V						Moment of inertia		Max safe speed RPM
	Series		Compound		Shunt		Series		Compound		Shunt		Kgm ²	LB.FT ²	
	Nm	LB.FT	Nm	LB.FT	Nm	LB.FT	Nm	LB.FT	Nm	LB.FT	Nm	LB.FT			
802 A	198	145	157	115	125	92	158	116	123	90	102	75	0,175	1,03	3600
802 B	330	245	270	198	216	158	268	196	210	154	177	130	0,175	1,03	3600
802 C	450	330	360	263	237	175	360	262	280	205	220	160	0,225	1,33	3600
803	740	545	610	445	400	295	600	440	470	345	360	265	0,4	2,36	3300
804	1100	810	880	650	590	435	880	650	685	505	530	390	0,625	3,7	3000

Frame size SM	Air requirement for TEFV						Weight (7) kg	DE & NDE bearings (5)
	Air flow		Static pressure at inlet					
	m ³ /min	CFM	DE (5)		NDE (5)			
			Pa (6)	Inches H ₂ O	Pa (6)	Inches H ₂ O		
802 A	3,2	110	190	¾	130	½	240	NJ 310 C3
802 B	3,2	110	190	¾	130	½	240	NJ 310 C3
802 C	4,8	160	250	1	130	½	260	NJ 310 C3
803	5,7	200	320	1 ¼	130	½	335	NJ 311 C3
804	7	250	320	1 ¼	130	½	440	NJ 313 C3

- (5) DE: Drive End
NDE: Non Drive End
- (6) 1Pa = 0,1mm H₂O
- (7) Weight is for TENV-TEFV version



Output data – Frames ML806-818

Ratings are referred to 230V. Motors can work with voltage up to 500V (with maximum torque lower than the one indicated for 230V; please ask Sicmemotori).

ML series motors can be supplied, with same ratings, with 460 and 550V also.

Frame Size ML	TENV S2-60' (1)						TENV S2-30' Series			TENV S3-30% (4)								
	Power		Speed RPM				Power		Speed	Series			Compound			Shunt		
	kW	HP	Series	Comp. (2)	Straight shunt	Adjust. Speed (3)	kW	HP	RPM	kW	HP	RPM	kW	HP	RPM	kW	HP	RPM
806	22	30	575	650	650	650/1950	28,5	39	500	22	30	575	21	28,5	690	18,5	25	715
808	37	50	525	575	575	575/1725	48	65	450	29,5	40	570	27,5	37,5	625	26	35	630
810	51,5	70	500	550	550	550/1650	66	90	440	44	60	550	38,5	52,5	615	33	45	600
812	73,5	100	475	515	515	515/1300	99	135	420	62,5	85	525	55	75	580	44	60	565
814	110	150	460	500	500	500/1250	147	200	400	84,5	115	515	81	110	565	62,5	85	560
816	147	200	450	480	480	480/1200	195	265	400	110	150	500	103	140	540	81	110	535
818	184	250	410	435	435	435/1100	239	325	360	136	185	485	121	165	490	95,5	130	470

- (1) or continuous duty, blower ventilated
- (2) 50% series, 50% shunt or straight shunt
- (3) A light stabilizing series field may be used to get these speed ranges. Constant power speed variation by field weakening
- (4) Continuous repeated cycles of 5 minutes duration, with load on for 1,5 minute and power off for 3,5 minutes; shunt fields continuously excited.

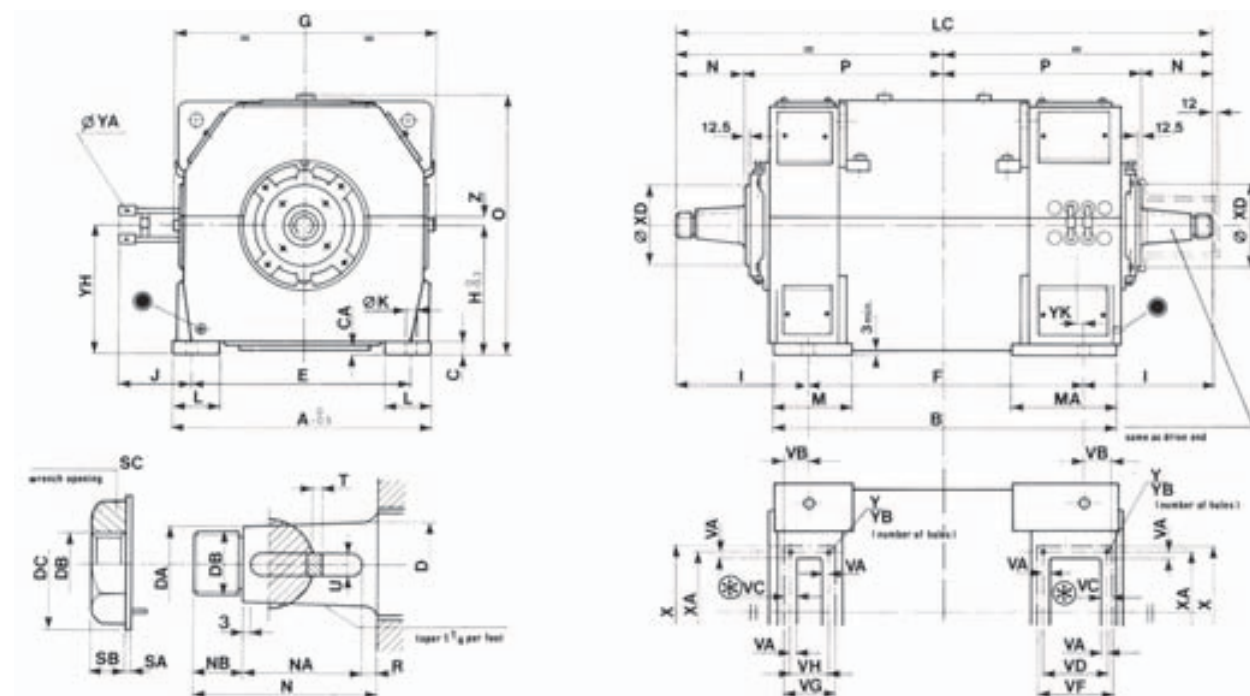
Frame Size ML	Maximum starting torque						Maximum running torque at 230V						Moment of inertia		Max safe speed RPM
	Series		Compound		Shunt		Series		Compound		Shunt		Kg ^m ²	LB.FT²	
	Nm	LB.FT	Nm	LB.FT	Nm	LB.FT	Nm	LB.FT	Nm	LB.FT	Nm	LB.FT			
806	1870	1370	1500	1100	990	725	1500	1100	1170	855	880	650	1,00	5,90	2600
808	3420	2500	2800	2050	1870	1370	2730	2000	2180	1600	1660	1220	1,65	9,75	2300
810	5050	3700	4100	3000	2730	2000	4030	2950	3180	2330	2450	1800	2,50	14,75	2200
812	7500	5500	6270	4600	4170	3060	6050	4430	4900	3600	3750	2750	3,85	22,70	1900
814	11650	8550	9650	7100	6420	4725	9300	6850	7550	5550	5800	4250	7,5	44,3	1700
816	15950	11700	13300	9800	8900	6550	12600	9300	10400	7650	8000	5900	14	82,5	1600
818	21800	16000	18500	13600	12300	9050	17400	12800	14400	10600	11050	8150	24	142	1500

Frame size ML	Air requirement for TEFV							Weight (7) kg	DE & NDE bearings (5)
	Air flow		Static pressure at inlet						
	m³/min	CFM	DE (5)		NDE (5)				
			Pa (6)	Inches H ₂ O	Pa (6)	Inches H ₂ O			
806	9,6	335	400	1 ½	200	¾	650	NJ 315 C3	
808	12	425	400	1 ½	200	¾	950	NJ 317 C3	
810	15	525	500	2	300	1 ¼	1270	NJ 319 C3	
812	21	750	600	2 ¼	450	1 ¾	1600	NJ 321 C3	
814	25	900	600	2 ¼	350	1 ¼	2100	NJ 322 C3	
816	34	1200	650	2 ½	400	1 ½	2600	NJ 326 C3	
818	45	1600	750	3	450	1 ¾	3500	NJ 328 C3	

- (5) DE: Drive End
NDE: Non Drive End
- (6) 1Pa = 0,1mm H₂O
- (7) Weight is for TENV-TEFV version



Dimensions – Frames SM802-804



- Ground terminal M10
- ⊗ Minimum mounting surface all around both ventilating openings

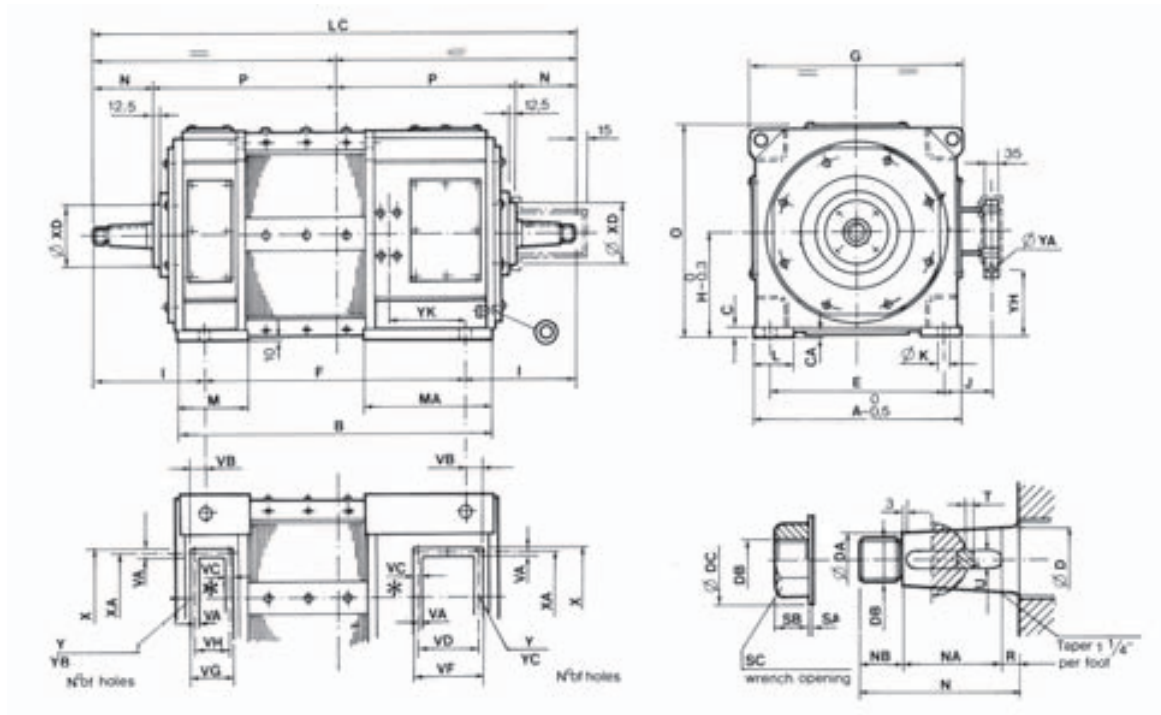
Frame size SM	Shaft Nut and Split Lockwasher				
	DB	DC	SA	SB	SC
802	M30x2	63	1,6	24	46
803	M36x3	73	1,6	25	55
804	M36x3	73	1,6	25	55

Frame size SM	A	B	C	CA	E	F	G	H	I	J	K	L	LC	M	MA	O	P	YA	YH	YK	XD	Z
802	381	520	17	10,5	318	419	400	193,5	208	140	22	73	835	130	180	397	305	10,5	210	45	114	22
803	432	597	17	13	356	457	445	216	241,5	140	24	78	940	160	210	440	343	10,5	240	45	140	25
804	457	648	22	13,5	381	482	475	228,5	254	140	24	85	990	165	235	465	368	10,5	255	45	140	25

Frame size SM	Shaft End							Keyway		Ventilation Opening Flanges										
	D	DA	DB	N	NA	NB	R	T	U	VA	VB	VC	VD	VF	VG	VH	X	XA	Y	YB
802	44,45	37,17	M30x2	112,5	70	30	12,5	6,35	12,70	2,5	22	10	105	120	55	40	185	170	M6	4
803	50,80	42,22	M36x3	127	82,5	32	12,5	6,35	12,70	5	45	12,5	112	127	83	68	215	200	M8	4
804	50,80	42,22	M36x3	127	82,5	32	12,5	6,35	12,70	5	57	12,5	125	140	70	55	230	215	M8	4

Data subject to change without notice

Dimensions: frames ML814-818



- ⊕ Ground terminal M16
- * Minimum mounting surface all around both ventilating openings

Frame size ML	Shaft Nut and Split Lockwasher				
	DB	DC	SA	SB	SC
814	M76x4	114	1,5	30	110
816	M90x4	165	1,5	35	130
818	M90x4	165	1,5	35	130

Frame size ML	A	B	C	CA	E	F	G	H	I	J	K	L	LC	M	MA	O	P	YA	YH	YK	XD
814	762	1054	40	18	635	813	762	374,5	365	230	40	155	1543	210	420	750	590,5	10,5	270	190	254
816	825	1187	40	22	686	889	825	406,5	412,5	230	40	175	1714	230	490	820	660,5	10,5	302	240	254
818	914	1264	45	25	762	990	915	451	402	230	45	185	1794	245	520	910	698,5	10,5	346	275	254

Frame size	Shaft End				Keyway		Ventilation Opening Flanges														
	D	DA	DB	N	NA	NB	R	T	U	VA	VB	VC	VD	VF	VG	VH	X	XA	Y	YB	YC
814	107,95	95,47	M76x4	181	120	48	13	9,5	25,4	7,5	86	16	220	235	140	123	387	370	M8	6	8
816	117,48	103,65	M90x4	196,5	133	51	12,5	9,5	31,7	11,5	114	25	253	280	170	143	407	380	M10	6	8
818	127,00	111,82	M90x4	198,5	146	40	12,5	12,7	31,7	11,5	98	25	278	305	180	153	460	433	M10	6	8

Data subject to change without notice

Some word about SICMEMOTORI

SICMEMOTORI has been designing, manufacturing and selling DC motors since 1962, at first as a Division of SICME (producing wire enamelling plants) and then, from 1967, as an independent company; from the beginning its products have been well received because of their quality and reliability.

SICMEMOTORI products have followed the complete evolution of DC motors technology, and today SICMEMOTORI is one of the leading manufacturers of DC motors in Europe. More than 85% of SICMEMOTORI DC motors are directly or indirectly exported.

The Company is located in Turin, in the North-West part of Italy, in one of the most industrialized area of Europe. The Company is organized on the principles of "lean production" and "learning organization". The integrated IT system of the Company controls all its activities, from order entry to the delivery of materials. Production is managed by a modern "MRP" system, and all operations are controlled by bar code; production is carried out in two plants, with a total surface area of approximately 10,500 sqm. Customers are allowed, via a password, to enter the company's IT system, to check status of their own orders.

Motors are produced according to ISO 9001-2000 quality assurance system.

Due to its long history, SICMEMOTORI has achieved a very high level of experience in the most severe applications, from iron & steel mills to rubber mixers (Banburies), from cranes & hoists to chairlifts & funiculars, to cement factories, mining industries, paper & print machines, sugar centrifuges, plastic extruders and film process, etc..

SICMEMOTORI products can be found all over the world; the after sales service is provided by a network of authorized repair shops, selected and certified by SICMEMOTORI (the updated list is on SICMEMOTORI web site www.sicmemotori.com). SICMEMOTORI is member of EASA.

Notes:

Customers can determine whether a specific product is suitable for their needs and are thus responsible for the selection, use and results obtained by any product showed in this catalogue. The information contained in the present catalogue does not guarantee the characteristics for the use.

The products listed in this catalogue are exclusively designed and built for industrial purposes.

For particular cases in NON-industrial environments, or where other types of protection must be provided (for example against contact with children fingers, etc.), these guards or additional protections must be realized by the customer.

Any non-observance of the rules for installation, use and maintenance or any modification/tampering with the motor makes the guarantee rights invalid and exempts SICMEMOTORI from any responsibility.

All data and indications shown in this catalogue have to be considered only as a guideline.

Any use of the motor differently from the specifications indicated in this catalogue does not involve any liability for SICMEMOTORI as manufacturer.

SICMEMOTORI reserves the right to modify at any time and without notice the data, the technical characteristics, the dimensions, the weights and the illustrations.

SICMEMOTORI refuses all responsibility for direct or indirect damages caused by possible errors and/or omissions in the present catalog.

The reproduction, even in part, of the present catalog must be authorized in writing by SICMEMOTORI.

**WARNING**

The motors and the electrical devices feeding them are electrical components installed on machines and industrial systems subject to high voltage. During operation, these components can be dangerous since they are live and have non-insulated and rotating parts. Therefore, they can be extremely harmful to personnel and objects if the instructions for the installation, the use and the maintenance are not respected.

The motors are always supplied complete with the installation, use and maintenance instruction manual. It is necessary to read and understand all the information contained before proceeding to connect and to start up the installation.

If the above mentioned documentation is lacking, please request a copy to SICMEMOTORI.

CAUTION

All information, data, drawings given in this catalogue are of a purely indicative nature and may be changed without prior notice. SICMEMOTORI shall not be held responsible if the products illustrated herein are used outside their limits of the specifications given.



SICME MOTORI S.p.A.
Str. Del Francese, 126/130 - 10156 Torino - Italia
Tel. +39 011 4076311 Fax +39 011 4500047 / 4500367
sicmemotori.com - sicmemotori@sicmemotori.com

