

Some word about SICMEMOTORI

SICMEMOTORI has been designing, manufacturing and selling DC motors since 1962, at first as a Division of SICME (producing wire enamelling plants) and then, from 1967, as an independent company; from the beginning its products have been well received because of their quality and reliability.

SICMEMOTORI products have followed the complete evolution of DC motors technology, and today SICMEMOTORI is one of the leading manufacturers of DC motors in Europe. More than 85% of SICMEMOTORI DC motors are directly or indirectly exported.

The Company is located in Turin, in the north-west part of Italy, in one of the most industrialized area of Europe. The Company is organized on the principles of "lean production" and "learning organization". The integrated IT system of the Company controls all its activities, from order entry to the delivery of materials. Production is managed by a modern "MRP" system, and all operations are controlled by bar code; production is carried out in two plants, with a total surface area of approximately 10,500 sqm. Customers are allowed, via a password, to enter the company's IT system, to check status of their own orders.

Motors are produced according to ISO 9001-2000 quality assurance system.

Due to its long history, SICMEMOTORI has achieved a very high level of experience in the most severe applications, from iron & steel mills to rubber mixers (Banburies), from cranes & hoists to chairlifts & funiculars, to cement factories, mining industries, paper & print machines, sugar centrifuges, plastic extruders and film process, etc..

SICMEMOTORI products can be found all over the world; the after sales service is provided by a network of authorized repair shops, selected and certified by SICMEMOTORI (the updated list is on SICMEMOTORI web site www.sicmemotori.com). SICMEMOTORI is member of EASA.

Emergency calls can be directed to:

From USA: (574)529-1490 – Loren Shaum

From all other Countries: +39-348-2716623 – Andrea Dolfi

Introduction

General

NEMA and metric motors are fully laminated (stator, main poles and inter poles, rotor) for use in variable speed drives for industrial applications. Motors have skewed armature slots to ensure low torque ripples at slow speed. Motors are available up to 3200 Hp, and they are available both in non-compensated and compensated versions. In this catalogue, frames 2110-2813 (132-180) are not compensated as standard, frames 3212 and above (200 and above) are compensated as standard. Blower ventilated as standard. Pure shunt winding.

Motor design

<u>Standards:</u>	NEMA Specifications (NE Series) or IEC 60034-1 (P-NP Series, metric frames)
<u>Supply:</u>	from 3-phase fully controlled bridge (no yoke required if armature current form factor is $\leq 1,05$)
<u>Insulation:</u>	Class H (180° C)
<u>Temp rise:</u>	Class F (145 °C)
<u>Max ambient temp:</u>	40 °C (without derating)
<u>Max altitude of installation:</u>	1000 m.a.s.l. (without derating)
<u>Max skin temperature:</u>	Less than 200 °F (92,4 °C)
<u>Balancing:</u>	ISO 2373, grade "N"
<u>Cooling air:</u>	The motor outputs are based on cooling air flow from non-drive end to drive end.
<u>Terminal box:</u>	Mounting of terminal box on either side of the motor (at left side DE view as standard)

On request

Other voltages
 Other speed ranges
 Compound winding
 Cooling: totally enclosed Air/air – air/water cooling
 Grade "R" or "S" balance
 Terminal box on top
 Brush wear control device available
 All options/accessories available

Data subject to change without notice.

Output data

**Drip-proof fully guarded, blower ventilated (DPFG-BV)
3-phase fully controlled supply (code C)**

HP	Base Speed rpm	500 Varm				240 Varm			
		NEMA Frame	SICME NEMA Design.	SICME METRIC Frame	Top speed rpm	NEMA Frame	SICME NEMA Design.	SICME METRIC Frame	Top Speed rpm
20	1750	2110ATZ	NE132NS2	P132NS2	2500	2111ATZ	NE132NM2	P132NM2	3100
	1150	2112ATZ	NE132NL2	P132NL2	1500	2112ATZ	NE132NL2	P132NL2	2000
25	1750	2112ATZ	NE132NL2	P132NL2	2200	2112ATZ	NE132NL2	P132NL2	2200
	1150	2510ATZ	NE160NS2	P160NS2	1650	2510ATZ	NE160NS2	P160NS2	1650
30	2500	2110ATZ	NE132NS2	P132NS2	3200	2110ATZ	NE132NS2	P132NS2	3200
	1750	2112ATZ	NE132NL2	P132NL2	2200	2113ATZ	NE132NX2	P132NX2	2900
	1150	2511ATZ	NE160NM2	P160NM2	2300	2511ATZ	NE160NM2	P160NM2	2300
40	2500	2112ATZ	NE132NL2	P132NL2	3300	2510ATZ	NE160NS2	P160NS2	3500
	1750	2510ATZ	NE160NS2	P160NS2	2600	2510ATZ	NE160NS2	P160NS2	2600
	1150	2512ATZ	NE160NL2	P160NL2	2000	2512ATZ	NE160NL2	P160NL2	2000
	850	2812ATZ	NE180NM4	P180NM4	1600	2812ATZ	NE180NM4	P180NM4	1600
50	2500	2113ATZ	NE132NX2	P132NX2	3000	2510ATZ	NE160NS2	P160NS2	3500
	1750	2511ATZ	NE160NM2	P160NM2	2500	2511ATZ	NE160NM2	P160NM2	2500
	1150	2512ATZ	NE160NX2	P160NX2	1400	2512ATZ	NE160NX2	P160NX2	1800
	850	2813ATZ	NE180NL4	P180NL4	1400	2813ATZ	NE180NL4	P180NL4	1800
60	2500	2511ATZ	NE160NM2	P160NM2	3500	---	---	---	---
	1750	2512ATZ	NE160NL2	P160NL2	2300	---	---	---	---
	1150	2812ATZ	NE180NM4	P180NM4	1500	---	---	---	---
	850	2813ATZ	NE180NL4	P180NL4	1200	---	---	---	---
75	2500	2511ATZ	NE160NM2	P160NM2	3500	---	---	---	---
	1750	2512ATZ	NE160NX2	P160NX2	3500	---	---	---	---
	1150	2814ATZ	NE180NX4	P180NX4	2600	---	---	---	---
	850	3212ATZ	NE200KL4	P200KL4	1400	---	---	---	---
100	2500	2812ATZ	NE180NM4	P180NM4	3500	---	---	---	---
	1750	2813ATZ	NE180NL4	P180NL4	2600	---	---	---	---
	1150	3212ATZ	NE200KL4	P200KL4	2400	---	---	---	---
	850	3213ATZ	NE200KX4	P200KX4	2300	---	---	---	---
125	2500	2812ATZ	NE180NM4	P180NM4	2900	---	---	---	---
	1750	2813ATZ	NE180NL4	P180NL4	2300	---	---	---	---
	1150	3612ATZ	NE225KS5	NP225KS5	1500	---	---	---	---
	850	3612ATZ	NE225KS5	NP225KS5	1550	---	---	---	---
150	1750	3212ATZ	NE200KL4	P200KL4	2200	---	---	---	---
	1150	3612ATZ	NE225KS5	NP225KS5	2100	---	---	---	---
	850	4012ATZ	NE250KS5	NP250KS5	1200	---	---	---	---
200	1750	3213ATZ	NE200KX4	P200KX4	2400	---	---	---	---
	1150	3613ATZ	NE225KM5	NP225KM5	1850	---	---	---	---
	850	4012ATZ	NE250KS5	NP250KS5	1200	---	---	---	---
250	1750	3612ATZ	NE225KS5	NP225KS5	3000	---	---	---	---
	1150	4012ATZ	NE250KS5	NP250KS5	2000	---	---	---	---
	850	4014ATZ	NE250KL5	NP250KL5	1700	---	---	---	---

For other metric frames please refer to Catalogues P-NP

Top speed by field control

Data subject to change without notice.

Output data

**Drip-proof fully guarded, blower ventilated (DPFG-BV)
3-phase fully controlled supply (code C)**

HP	Base Speed rpm	500 Varm			
		NEMA Frame	SICME NEMA Design.	SICME METRIC Frame	Top speed rpm
300	1750	3613ATZ	NE225KM5	NP225KM5	2600
	1150	4013ATZ	NE250KM5	NP250KM5	2700
	850	4412ATZ	NE280KS6	NP280KS6	2300
400	1750	4012ATZ	NE250KS5	NP250KS5	1900
	1150	4412ATZ	NE280KS6	NP280KS6	2200
	850	4413ATZ	NE280KL6	NP280KL6	1700
500	1750	4014ATZ	NE250KL5	NP250KL5	2800
	1150	4413ATZ	NE280KL6	NP280KL6	1600
	850	5013ATZ	NE315KL6	NP315KL6	1700
600	1750	4412ATZ	NE280KS6	NP280KS6	2200
	1150	5012ATZ	NE315KM6	NP315KM6	1600
	850	5811ATZ	NE355KM6	NP355KM6	1700
700	1750	5011ATZ	NE315KS6	NP315KS6	2300
	1150	5013ATZ	NE315KL6	NP315KL6	1500
	850	5812ATZ	NE355KL6	NP355KL6	1150
800	1750	5810ATZ	NE355KR6	NP355KR6	1750
	1150	5811ATZ	NE355KM6	NP355KM6	1500
	850	5813ATZ	NE355KX6	NP355KX6	1050
900	1750	---	---	NP400KR6	1800
	1150	---	---	NP400KS6	1600
	850	---	---	NP400KL6	1000
1000	1150	---	---	NP450KR8	1200
	850	---	---	NP450KS8	950
	650	---	---	NP450KL8	700
1250	1150	---	---	NP500KRM6	1500
	850	---	---	NP500KSM6	1300
	650	---	---	NP500KML6	1100

HP	Base Speed rpm	700 Varm			
		NEMA Frame	SICME NEMA Design.	SICME Metric Frame	Top speed rpm
1500	850	---	---	NP560KS6	1200
	650	---	---	NP560KML6	1000
	500	---	---	NP560KX6	850
1750	850	---	---	NP560KSM6	1200
	650	---	---	NP560KL6	950
	500	---	---	NP630KL8	850
2000	850	---	---	NP630KS8	1100
	650	---	---	NP630KML8	900
	500	---	---	NP630KX8	750
2170	850	---	---	NP710KR8	1000
2250	850	---	---	NP800KRS6	1000
	650	---	---	NP800KS6	850
2500	850	---	---	NP800KRS8	1000
	650	---	---	NP800KS8	850

For other metric frames please refer to Catalogues P-NP

Top speed by field control

Higher powers (up to 3200 Hp) available on request

Data subject to change without notice.



Technical data: 500V — 1750RPM — 300V field

NEMA frame	SICME NEMA Design.	SICME METRIC Frame	HP	Armature current A	Armature Resistance Ω (at 115°C)	Armature Inductance mH	Field current A	Field Inductance H	Weight (DPFG-BV) lb	Inertia lbs/ft ²	Max mechanical speed RPM
2110ATZ	NE132NS2	P132NS2	20	35	1.670	11.2	1.7	13.2	297	1.6	4800
2112ATZ	NE132NL2	P132NL2	25	42	0.940	8.7	2.5	12.6	374	2.4	4800
2112ATZ	NE132NL2	P132NL2	30	51	0.940	7.3	2.5	10.2	374	2.4	4800
2510ATZ	NE160NS2	P160NS2	40	67.5	0.580	7.6	2.2	22	515	5.9	4200
2511ATZ	NE160NM2	P160NM2	50	83.5	0.510	7.5	2.3	17.5	581	6.6	4200
2512ATZ	NE160NL2	P160NL2	60	99	0.350	5.3	2.6	16.3	669	7.8	4200
2512ATZ	NE160NX2	P160NX2	75	125	0.250	4.2	3.6	11.3	724	8.5	4000
2813ATZ	NE180NL4	P180NL4	100	164	0.165	3.0	4.2	7.55	1045	15.4	3600
2813ATZ	NE180NL4	P180NL4	125	205	0.135	2.3	5.3	6.1	1045	15.4	3600
3212ATZ	NE200KL4	P200KL4	150	243	0.090	0.98	5.0	9.4	1408	24.9	3200
3213ATZ	NE200KX4	P200KX4	200	324	0.076	0.65	4.6	6.6	1518	28.5	2800
3612ATZ	NE225KS5	NP225KS5	250	398	0.041	1.15	7.2	7.7	2002	47	3000
3613ATZ	NE225KM5	NP225KM5	300	474	0.037	1.10	6.7	6.1	2134	51	3000
4012ATZ	NE250KS5	NP250KS5	400	637	0.026	0.91	6.4	8.2	2640	87	2800
4014ATZ	NE250KL5	NP250KL5	500	788	0.021	0.20	7.4	5.5	3003	100	2800
4412ATZ	NE280KS6	NP280KS6	600	939	0.016	0.18	8.7	6.0	3663	120	2600
5011ATZ	NE315KS6	NP315KS6	700	1107	0.013	0.14	6.5	8.8	4741	237	2400
5810ATZ	NE355KR6	NP355KR6	800	1256	0.010	0.13	10.0	5.2	5753	344	2200
---	---	NP400KR6	900	1410	0.008	0.13	7.1	8.8	7425	589	2000

Technical data: 500V — 1150RPM — 300V field

NEMA frame	SICME NEMA Design.	SICME METRIC Frame	HP	Armature current A	Armature Resistance Ω (at 115°C)	Armature Inductance mH	Field current A	Field Inductance H	Weight (DPFG-BV) lb	Inertia lbs/ft ²	Max mechanical speed RPM
4012ATZ	NE250KS5	NP250KS5	250	401	0.062	0.56	6.6	6.7	2640	87	2800
4013ATZ	NE250KM5	NP250KM5	300	479	0.054	0.59	8.0	4.9	2805	93	2800
4412ATZ	NE280KS6	NP280KS6	400	632	0.034	0.36	8.8	6.0	3663	120	2600
4413ATZ	NE280KL6	NP280KL6	500	786	0.025	0.28	11.9	4.4	4235	140	2600
5012ATZ	NE315KM6	NP315KM6	600	941	0.020	0.24	10.0	6.8	5071	256	2400
5013ATZ	NE315KL6	NP315KL6	700	1100	0.018	0.23	11.2	4.2	5456	278	2400
5811ATZ	NE355KM6	NP355KM6	800	1246	0.013	0.18	10.6	4.1	6864	399	2200
---	---	NP400KS6	900	1401	0.010	0.17	12.0	3.8	8228	641	2000
---	---	NP450KR8	1000	1571	0.009	0.15	11.0	4.6	9284	1054	1800
---	---	NP500KRM6	1250	1954	0.007	0.09	9.3	6.8	11704	11628	1700

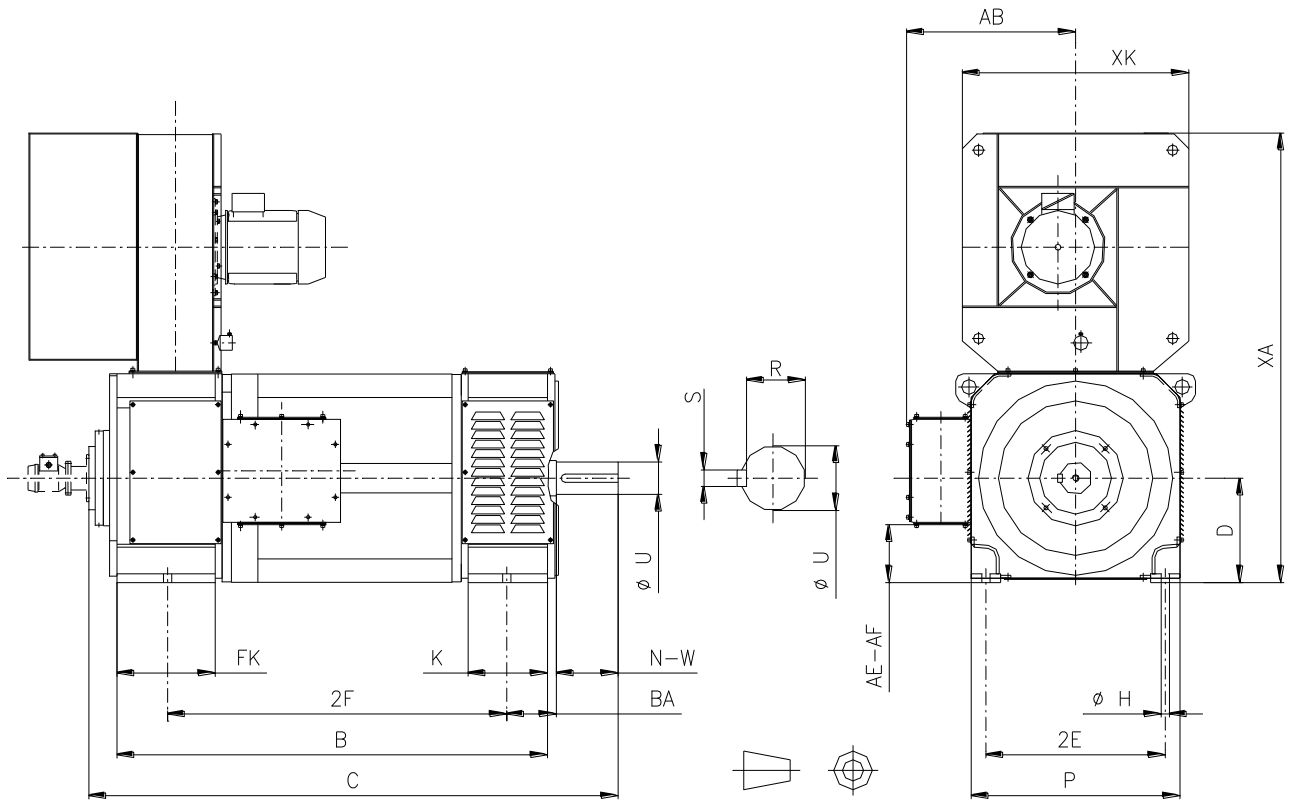
Technical data: 700V — 850RPM — 300V field

NEMA frame	SICME NEMA Design.	SICME METRIC Frame	HP	Armature current A	Armature Resistance Ω (at 115°C)	Armature Inductance mH	Field current A	Field Inductance H	Weight (DPFG-BV) lb	Inertia lbs/ft ²	Max mechanical speed RPM
---	---	NP560KS6	1500	1669	0.013	0.15	14.0	4.3	13970	3512	1600
---	---	NP560KSM6	1750	1945	0.012	0.14	16.5	3.8	14740	3749	1500
---	---	NP630KS8	2000	2212	0.009	0.12	12.8	5.3	18986	5885	1500
---	---	NP710KR8	2170	2393	0.008	0.11	13.0	9.5	22880	8661	1350
---	---	NP800KRS8	2250	2478	0.007	0.078	15.0	6.3	25630	12696	1250
---	---	NP800KRS8	2500	2752	0.007	0.078	15.0	6.3	25630	12696	1250

Data subject to change without notice.



Dimensions – NEMA



SICME NEMA Design.	NEMA FRAME	D	BA	2E	2F	H	P	B	C	FK	K	N-W	U	S	R	AE-AF	AB	XK	XA
		Inch	Inch	Inch	Inch	Inch	Inch	Inch	Inch	Inch	Inch	Inch	Inch	Inch	Inch	Inch	Inch	Inch	Inch
NE132NS2	2110ATZ	5,25	3,50	8,50	12,50	0,41	10,04	15,47	24,71	2,36	2,36	3,25	1,625	0,375	1,416	1,97	9,25	10,16	20,87
NE132NM2	2111ATZ				14,00			26,28											
NE132NL2	2112ATZ				16,00			28,25											
NE132NX2	2113ATZ				18,00			29,43											
NE160NS2	2510ATZ	6,25	4,25	10,00	16,00	0,53	12,01	19,61	30,04	2,76	2,76	4,25	2,125	0,50	1,845	2,76	10,83	12,13	25,00
NE160NM2	2511ATZ				18,00			32,01											
NE160NL2	2512ATZ				22,00			34,56											
NE160NX2	2512ATZ				22,00			36,14											
NE180NM4	2812ATZ	7,00	4,75	11,00	22,00	0,53	13,78	25,59	37,71	4,53	3,15	4,25	2,125	0,50	1,845	3,15	11,81	14,09	29,13
NE180NL4	2813ATZ				25,00			40,67											
NE180NX4	2814ATZ				28,00			42,44											
NE200KL4	3212ATZ	8,00	5,25	12,50	25,00	0,66	15,35	30,20	43,53	4,72	3,54	4,75	2,375	0,625	2,021	3,27	14,37	16,06	33,36
NE200KX4	3213ATZ				28,00			45,50											
NE225KS5	3612ATZ	9,00	5,88	14,00	28,00	0,81	17,52	40,67	50,36	11,42	7,09	6,50	3,25	0,75	2,831	4,13	16,14	17,64	36,81
NE225KM5	3613ATZ				32,00			52,33											
NE250KS5	4012ATZ				32,00			54,89											
NE250KM5	4013ATZ	10,00	6,63	16,00	36,00	0,94	19,49	46,14	56,86	11,81	7,87	7,25	3,75	0,875	3,261	4,92	17,13	19,69	42,52
NE250KL5	4014ATZ				40,00			59,22											
NE280KS6	4412ATZ	11,00	7,50	18,00	36,00	1,06	21,85	49,69	60,40	12,80	8,07	7,25	3,75	0,875	3,261	5,00	19,69	22,44	49,80
NE280KL6	4413ATZ				40,00			65,52											
NE315KS6	5011ATZ	12,50	8,50	20,00	36,00	1,19	24,61	51,46	62,72	12,80	9,25	7,80	4,00	1,00	3,436	6,38	20,98	27,56	56,30
NE315KM6	5012ATZ				40,00			65,08											
NE315KL6	5013ATZ				45,00			67,84											
NE355KR6	5810ATZ	14,50	9,90	30,00	36,00	1,19	32,75	55,91	70,62	17,72	10,63	9,60	4,50	1,00	3,944	8,20	22,45	30,31	60,96
NE355KM6	5811ATZ				40,00			76,92											
NE355KL6	5812ATZ				45,00			79,68											
NE355KX6	5813ATZ				50,00			82,83											

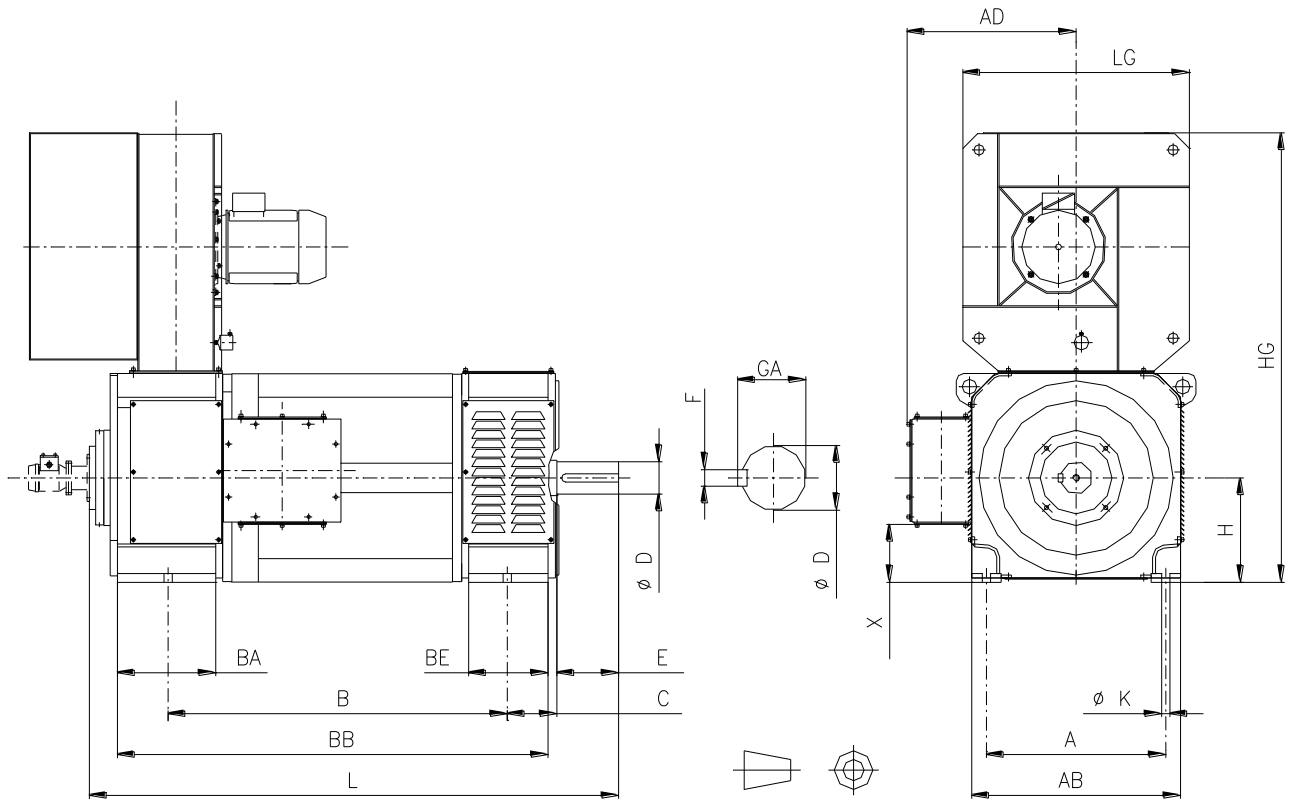
Data subject to change without notice.



Sicme Motori SpA – Strada del Francese 126/130 – 10156 Torino – Italy
 Tel. +390114076311 - Fax +390114500047 – www.sicmemotori.com – sicmemotori@sicmemotori.com

C-NE-2110-5813-E-08

Dimensions - METRIC



SICME METRIC FRAME	D	F	GA	E	C	B	BA	BB	BE	L	AD	H	HG	K	A	AB	X	LG
	mm	mm	mm	mm	mm	mm	mm	mm	mm	mm	mm	mm	mm	mm	mm	mm	mm	mm
P 132 NS2	38 k6	10	41	80	89	325	60	393	60	625	235	132 +0-0,5	525	12	216	287	50	258
P 132 NM2						365		433		665								
P 132 NL2						415		483		715								
P 132 NX2						445		513		745								
P 160 NS2	48 k6	14	51,5	110	108	415	70	498	70	765	275	160 +0-0,5	630	15	254	343	70	308
P 160 NM2						465		548		815								
P 160 NL2						530		613		880								
P 160 NX2						570		653		920								
P 180 NM4	55 m6	16	59	110	121	530	80	650	115	960	300	180 +0-0,5	735	15	279	390	80	358
P 180 NL4						605		725		1035								
P 180 NX4						650		770		1080								
P 200 KL4	65m6	18	69	140	133	630	120	767	90	1125	365	200 +0-0,5	846	19	318	423	83	408
P 200 KX4						680		817		1175								
NP 225 KS5	85 m6	22	90	170	149	785	270	1033	160	1284	410	225 +0-0,5	930	19	356	445	105	448
NP 225 KM5						835		1083		1334								
NP 225 KL5						885		1133		1384								
NP 250 KS5	95 m6	25	100	170	168	755	300	1122	180	1379	435	250 +0-0,5	1075	24	406	495	125	500
NP 250 KM5						805		1172		1429								
NP 250 KL5						865		1232		1489								
NP 280 KS6	95 m6	25	100	170	190	845	325	1262	205	1519	500	280 +0-1	1261	24	457	555	127	570
NP 280 KL6						975		1392		1649								
NP 315 KS6	100 m6	28	106	210	216	933	325	1307	235	1604	533	315 +0-1	1425	28	508	625	162	700
NP 315 KM6						993		1367		1664								
NP 315 KL6						1063		1437		1734								
NP 355 KR6	110 m6	28	116	210	254	932	450	1420	270	1756	575	355 +0-1	1578	28	610	710	197	770
NP 355 KM6						1092		1580		1916								
NP 355 KL6						1162		1650		1986								
NP 355 KX6						1242		1730		2066								

For other metric frames please refer to Catalogues P-NP

Data subject to change without notice.

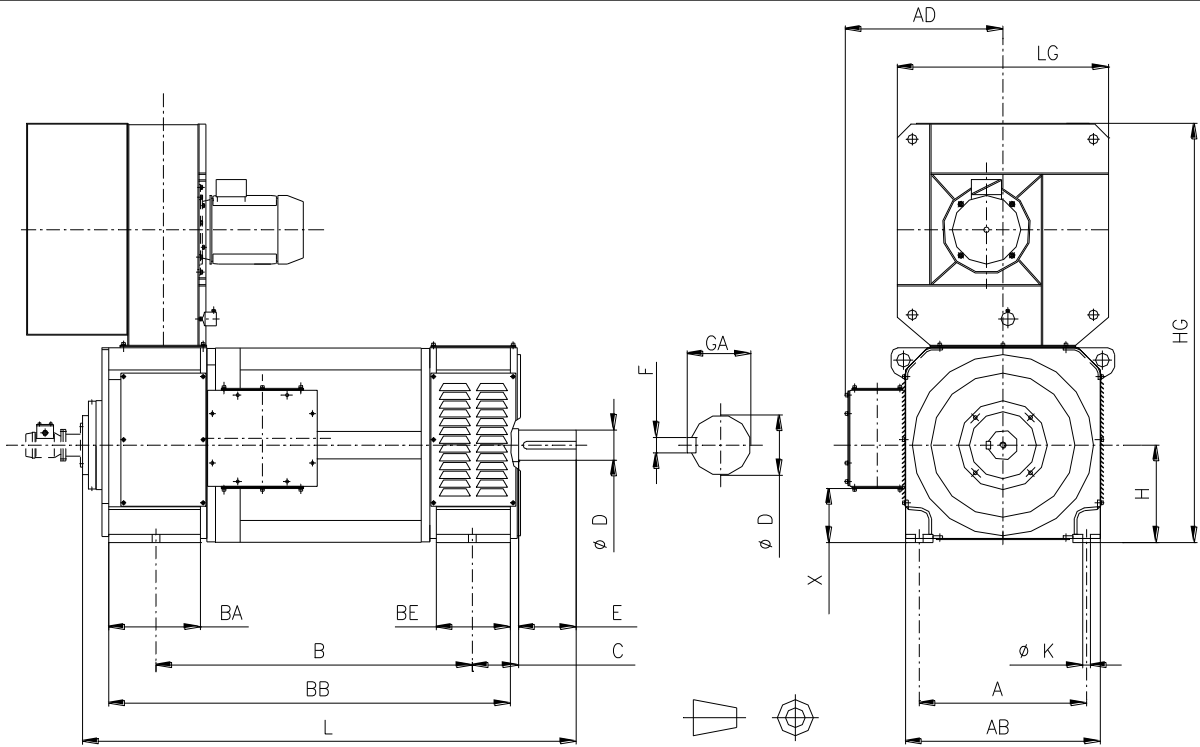


SICMEMOTORI

Sicme Motori SpA – Strada del Francese 126/130 – 10156 Torino – Italy
Tel. +390114076311 - Fax +390114500047 – www.sicmemotori.com – sicmemotori@sicmemotori.com

C-NE-2110-5813-E-08

Dimensions - METRIC



SICME METRIC FRAME	D	F	GA	E	C	B	BA	BB	BE	L	AD	H	HG	K	A	AB	X	LG
	mm	mm	mm	mm	mm	mm	mm	mm	mm	mm	mm	mm	mm	mm	mm	mm	mm	mm
NP 400 KR6	130 m6	32	137	250	280	935	455	1470	305	1856	670	400 +0 -1	1670	35	686	800	205	820
NP 400 KS6						1035		1570		1956								
NP 400 KL6						1165		1700		2086								
NP 450 KR8	140 m6	36	148	250	315	930	575	1670	335	2030	705	450 +0 -1	1868	35	800	890	255	900
NP 450 KS8						980		1720		2080								
NP 450 KL8						1240		1980		2340								
NP 500 KRM6	160 m6	40	169	300	315	1010	465	1434	315	1915	825	500 +0 -1	2110	42	900	1065	524	995
NP 500 KSM6	170 m6	40	179			1155		1579		2060								
NP 500 KML6						1285		1709		2190								
NP 560 KS6	180 m6	45	190	300	315	1155	495	1579	315	2070	875	560 +0 -1	2350	42	1000	1185	616	1100
NP 560 KSM6						1205		1629		2120								
NP 560 KML6						1335		1759		2250								
NP 560 KL6						1415		1839		2330								
NP 560 KX6						1505		1929		2420								
NP 630 KS8	180	keyless	240	280	315	1205	630	1721	320	2175	945	630 +0 -1	2730	42	1180	1340	720	1170
NP630 KML8	1385					1901		2395										
NP 630 KL8	1465					1981		2475										
NP 630 KX8	1555					2071		2565										
NP 710 KR8	200	keyless	280	400	1240	790	1740	400	2292	1100	710 +0 -1.5	2360	42	1400	1530	422	1860	
NP 800 KRS8	220	keyless	280	400	1155	790	1655	400	2207	1130	800 +0 -1.5	2900	42	1400	1590	510	2250	
NP 800 KS8	240		330	425	1290		1790		2428									

For other metric frames please refer to Catalogues P-NP

Data subject to change without notice.




Some field of application of SICMEMOTORI electric motors

SICMEMOTORI

Electric motors for Mining Industry
Motori elettrici per l'Industria Mineraria


SICMEMINING



SICMEMOTORI

Electric motors for Paper and Printing Industries
Motori elettrici per l'Industria della Carta e della Stampa


SICMEPAPER&PRINT



SICMEMOTORI

Electric motors for Surface Lifts, Chairlifts, Gondolas, Trams, Funiculars and Snow Making


SICMESNOW



SICMEMOTORI

Electric motors for Steel and Metal Industries
Motori elettrici per Impianti Siderurgici e per la Lavorazione del Metallo


SICMETAL



SICMEMOTORI

Electric motors for Hoisting and Material Handling systems
Motori elettrici per Impianti di Sollevamento e Movimentazione Merce

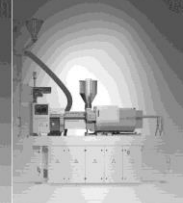
SIGMECRANE



SICMEMOTORI

Electric motors for Plastic and Rubber Industries
Motori elettrici per l'Industria della Plastica e della Gomma

SIGMEPLASTIC&RUBBER




SICMEMOTORI

D.C. MOTORS FOR INDUSTRIAL APPLICATIONS
MOTORI A CORRENTE CONTINUA PER APPLICAZIONI INDUSTRIALI

A.C. MOTORS FOR INDUSTRIAL APPLICATIONS
MOTORI A CORRENTE ALTERNATA PER APPLICAZIONI INDUSTRIALI


SICMEPRODUCTS



SICMEMOTORI

Electric generators for wind power plants
Generatori elettrici per Impianti Eolici


SIGMEWIND



SICMEMOTORI

Winches for Rope Lifts
Argini per Ascensori
Gearless SKYLIFT series

SICMELIFT



Data subject to change without notice.